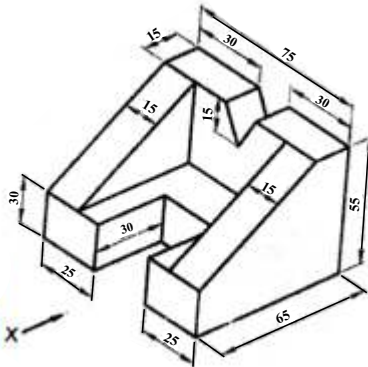


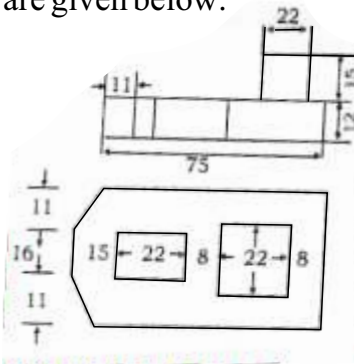
**SECTION-D**

**Note:** Long answer type questions. Attempt any two questions out of three questions. (2x8=16)

Q.23 Draw the front view, top view and right-side view of the given figure: (CO4)



Q.24 Draw the Isometric views of the object whose orthographic views are given below: (CO5)



Q.25 A hexagonal pyramids stands on the HP with one of its base edges parallel to V.P. The pyramid is cut by a plane passing through the midpoint of the vertical height at an angle of 30° to HP and perpendicular to VP. Draw the sectional top view, sectional end view of the object. Take base side of pyramid as 30 mm and height of pyramid as 60 mm. (CO8)

(40)

(4)

222015

No. of Printed Pages : 4  
Roll No. ....

222015

**1st Year / Advance Diploma in Tool and Die Making**

**Subject : Engineering Drawing**

Time : 3 Hrs.

M.M. : 60

**SECTION-A**

**Note:** Multiple choice questions. All questions are compulsory (6x1=6)

Q.1 Which grade of pencils is used for drawing light construction lines? (CO4)

- a) 2H
- b) 3H
- c) 1B
- d) HB

Q.2 Isometric projection is a \_\_\_\_\_ view of the orthographic projections. (CO2)

- a) three
- b) two
- c) single
- d) six

Q.3 A section view usually shows \_\_\_\_\_ detail. (CO2)

- a) Exterior
- b) Interior
- c) Profile
- d) Isometric

Q.4 The necessary diameter (d) and thickness of plates (t) is \_\_\_\_\_ (CO6)

- a)  $d = 6 \times \ddot{O}t$
- b)  $d = 4 \times \ddot{O}t$
- c)  $d = 6 \times \ddot{O}t$
- d)  $d = 4 \times \ddot{O}t$

(1)

222015

