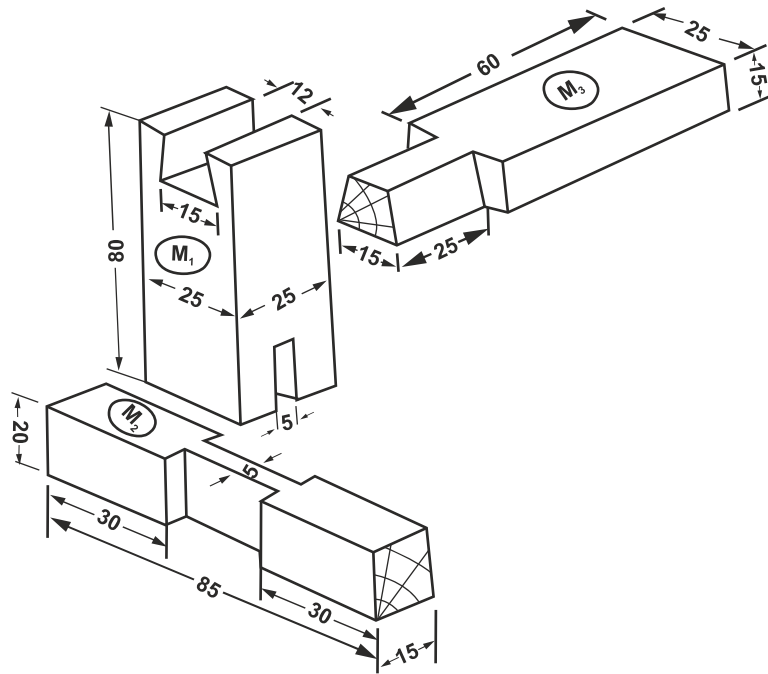


Q.25 The detail of three members of wooden joint is shown in fig. Assemble the parts together and draw the following views in first angle projection.

- i) Front view ii) Top view iii) Side view



Note : All dimensions may be taken in mm

Assume suitable dimensions if missing or not visible in the figure.

No. of Printed Pages : 4
Roll No.

220125/170025/
120025/030025

2nd Semester/ Agri, Automobile, Mechanical, Mechanical (Tool & Die Design) Chem, P & P Civil, Elect, Plastic, Prod, Mechatronics, GE, CAD/CAM, CNC, Metallurgy, F&F, Civil Constr, Pack Tech, Printing Tech, Power Stat Engg, Power Eltx, Elect & Eltx Engg. Paint Tech, Ruber Tech, Polymer Engg., Highway Engg, Fab. Tech, Fire Tech & Safety AME
Sub. : Mechanizal Engineering Drawing-I / Engineering Drawing-II

Time : 3 Hrs.

M.M. : 60

SECTION-A

Note: Multiple choice questions. All questions are compulsory (6x1=6)

- Q.1 Material of key is (CO5)
a) Aluminum b) Cast Iron
c) HSS d) Mild Steel
- Q.2 Angle of metric thread in degree (CO2)
a) 45° b) 60°
c) 29° d) 90°
- Q.3 Halving and bridle joints are (CO1)
a) Welded joints b) Riveted Joints
c) Wooden Joints d) Cotter Joints

- Q.4 Which of the following is not a type of rivet
- a) Snap head b) Pan head
c) Counter sunk head d) Lap head
- Q.5 Which type of coupling is case of two shafts are mis-aligned
- a) Flange b) Oldham's
c) Steeve d) Rigid
- Q.6 Which foundation bolt is used in heavy machinery?
- a) Rag bolt b) Lewis bolt
c) Eye bolt d) Hook bolt

SECTION-B

Note: Objective/ Completion type questions. All questions are compulsory. (6x1=6)

- Q.7 A drawing showing single part or several parts individually is called _____.
- Q.8 Define lead of a screw.
- Q.9 For transmitting power is one direction _____ thread is used.
- Q.10 Standard ratio of face key is _____.
- Q.11 A cotter is a permanent joint (True/False)
- Q.12 Castle nut is modification of _____ nut.

(2) 220125/170025/
120025/030025

SECTION-C

Note: Short answer type questions. Attempt any eight questions out of ten questions. (8x4=32)

- Q.13 Draw freehand sketch of B.A. thread.
- Q.14 Define assembly drawing.
- Q.15 Name any five wooden joints.
- Q.16 Draw freehand sketch of Eye Bolt.
- Q.17 Explain caulking and fullering.
- Q.18 Differentiate between lap joint and butt joint.
- Q.19 What is the difference between flexible coupling and rigid coupling. Give examples of each.
- Q.20 Explain any two modify commands in CAD software.
- Q.21 Write the advantages of wings (CAD)
- Q.22 Why coupling is made flexible and how?

SECTION-D

Note: Long answer type questions. Attempt any two questions out of three questions. (2x8=16)

- Q.23 Draw the top view and sectional view of double riverted lap joint (Chain type) Take diameter of rivet 21mm.
- Q.24 Draw two views of flexible coupling.

(3) 220125/170025/
120025/030025